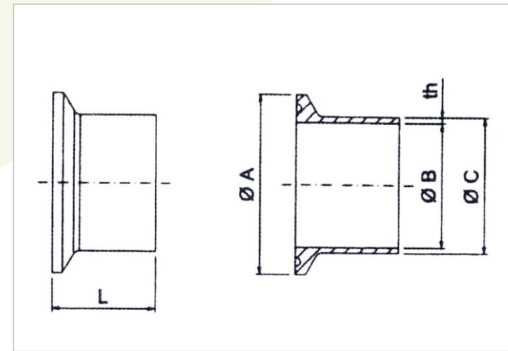


SEMIRACCORDO CLAMP

MISURE INCH L=28,6



Size Inch	Flange Ø A mm	O.D. Ø C mm	I.D. Ø B mm	Thickness th mm	Lenght L mm
1/2"	25,40	12,70	9,40	1,65	28,60
3/4"	25,40	19,05	15,75	1,65	28,60
1"	50,40	25,40	22,10	1,65	28,60
1 1/2"	50,40	38,10	34,80	1,65	28,60
2"	64,00	50,80	47,50	1,65	28,60
2 1/2"	77,40	63,50	60,20	1,65	28,60
3"	90,90	76,20	72,90	1,65	28,60
4"	118,80	101,60	97,38	2,11	28,60
6"	167,00	152,40	146,86	2,77	38,10